

# DYTSC S type load cells



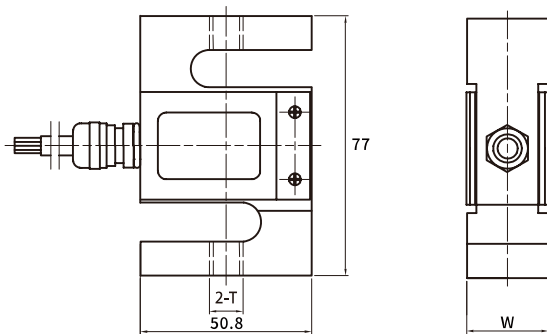
## Product Reviews

### Characteristic

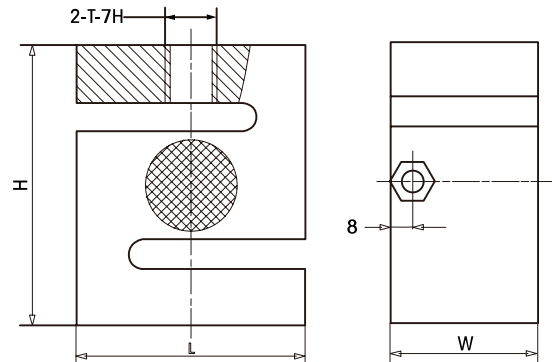
S-type is a common force sensor shape, characterized by simple structure, light weight, convenient installation, high precision, good linearity and high stability. Such sensors are commonly used to measure both light and moderate loads.

### Application Area

- Machinery manufacturing industry: such as machine tool, pressure machine, injection molding machine, etc.
- Petrochemical industry: such as petroleum, chemical industry, coal gas, etc.
- Iron and steel metallurgy: such as iron and steel, metallurgy, casting, etc.
- Aerospace: such as aircraft, rockets, etc.



Range (kg)	W	T
50,100,200	18.5	M10X1
300	24.4	M10X1
500	24.4	M12X1
1000	36	M12X1



Range (T)	L	H	W	T
2	70	86	45	M16x1.5
3	80	100	50	M18x1.5
5	92	130	58	M20x2

## Parameters Table

Range	50kg-5T	Material quality	Alloy Steel
Output sensitivity	2.0-3.0±10% $mV/V$	Impedance	350 $\Omega$
Zero point output	±1%F.S.	Insulation resistance	≥5000M $\Omega$ /100VDC
Nolinear	0.03%F.S.	Service voltage	5-15v
Hysteresis	0.03%F.S.	Operating temperature range	-20-80 $^{\circ}C$
Repeatability	0.03%F.S.	Safe overload	150%
Creep (30 min)	0.03%F.S.	Extreme overload	300%
Temperature sensitivity drift	0.03%F.S./10 $^{\circ}C$	Cable line specifications	$\phi$ 5x6m
Xero point temperature drift	0.05%F.S./10 $^{\circ}C$	Cable limit tension	10kg
Response frequency	10kHz	TEDS	